

Room temperature control unit

SM

Description



The room control unit SM has a temperature sensor for the remote measurement in domestic environments, offices, reception etc. and a setpoint control that limits the setting range to a predetermined value by the controller. It is available with occupancy button, LED and switch for fan speed.

Technical specifications

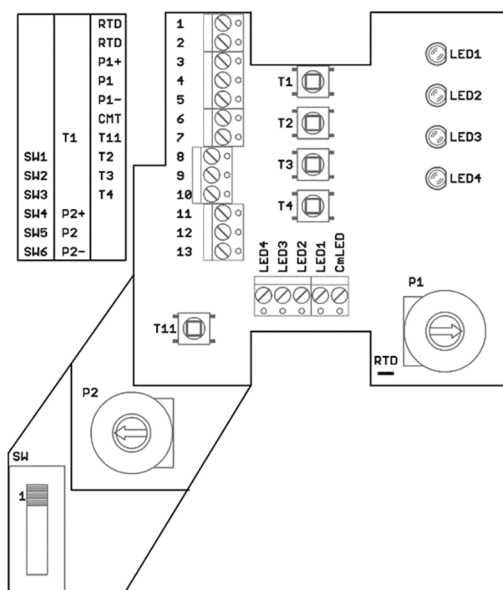
Sensor	NTC 10 kOhm
Power supply	24 V AC/DC
Potentiometer	5 kOhm
Occupancy button	10mA, 35 V DC
Fan speed	5 selectable with slide switch
Electrical connection	screw terminals max. 1,5 mm ²
Housing	ABS, colour white RAL 9010
Dimensions	87,5 x 87,5 x 30 mm
Weight	82 g
Protection type	IP20
Working temperature	0...+50°C
Storage temperature	-30...+60°C
Standards	CE-conformity, RoHS



Model	Occupancy button	Green LED	Speed switch
SM5			
SM5T	•		
SM5TL	•	•	
SM5TLS	•	•	•



Electrical wirings



Dimensions (mm)

