



Description

The air flow switch serie FSA is designed for controlling flow rates of air and non aggressive gases in pipes and ducts employed in HVAC applications.

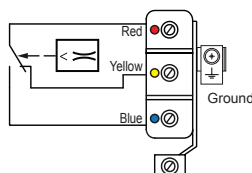
Technical specifications

Switching output	Dustproof microswitch as potential-free SPDT contact
Electrical rating	16 (8) A, 24 - 250 V AC, at 24 V AC min. 150 mA
Lifetime	50.000 cycles at nominal load
Electrical connection	Screw terminal, wire up to 1,5 mm ² , cable Ø 6...9 mm
Housing	ABS, white
Cable conduit	M20 x 1,5 mm
Lever material	Brass
Paddles material	Stainless steel Aisi 301
Dimensions	See drawing
Weight	600 gr
Protection type	IP65
Protection class	III
Max. fluid temperature	-10 ...+85°C
Working humidity RH	10...95% RH, non-condensing
Working temperature °C	-40 ...+85°C
Storage temperature	-40 ...+85°C
Standards	CE conformity, RoHS

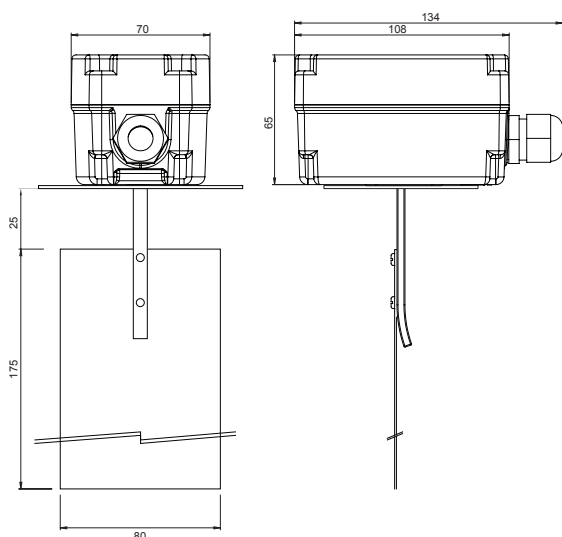


Model	Min. cut-out value m/s	Min. cut-in value m/s	Max cut-out value m/s	Max cut-in value m/s
FSA1	1.0	2.5	8.0	9.2

Electrical wirings



Dimensions (mm)



ATTENTION

The units are calibrated at the minimum switch-off value. A higher value can be adjusted by turning the range screw clockwise. Due to the risk of fracture at air speed higher than 5 m/s the paddle must be cut off on the marked side. When the paddle is cut off, the minimum cut-out value increases from 1 m/s to 2,5 m/s. Straights zones should be provided for a length of 5 x diameter upstream and downstream the location of installation to avoid air swirl and paddle instability.