

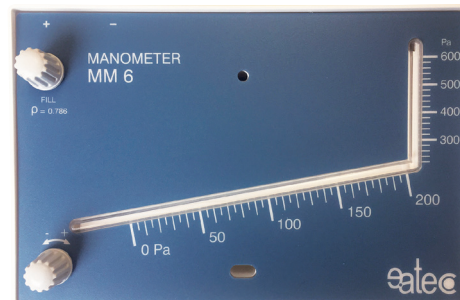
## Description



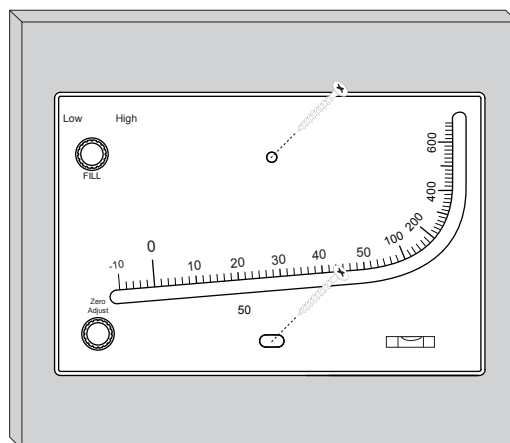
The MM6 liquid column manometer is engineered for HVAC/R applications. The device detects air and non-corrosive gas pressure and provides a clear analog display of the measured values. It is designed with a reservoir to protect the manometer liquid from leaking into the duct during overpressure situation. It is provided with screws, 2 meters of pipe, labels and a bottle of red liquid.

## Technical specifications

<b>Gas</b>	air and non-corrosive gas
<b>Range</b>	0...200...600 Pa
<b>Accuracy</b>	0...200 Pa $\pm 5\%$ , 200...600 Pa $\pm 25\%$
<b>Material</b>	white ABS housing, cover PMMA
<b>Max working pressure</b>	200 kPa
<b>Working temperature</b>	-40...+60 °C
<b>Gauge fluid</b>	Isopar M, colour red 0.786 kg/dm (15°C)
<b>Dimensioni</b>	190x153x45 mm
<b>Standards</b>	CE conformity, RoHS



## Installation



- 1) Mount the device horizontally in the desired location.
- 2) Unscrew the zero adjustment knob (lower one) so that it is completely open and then turn one round backwards. Open the fill plug (upper one) and pour in the gauge fluid until it reaches the zero on the scale. Finetune with the zero adjustment knob until the fluid is exactly at the zero level. Screw the fill plug back to its place.
- 3) Connect the pressure tubes. Connect positive pressure to port labeled “+” and negative pressure to port “-”

**SAFETY:** Product equipped with integral reservoir to prevent gauge fluid leakage during overpressure situation.

**NOTE!** Use only the liquid supplied with the device to ensure accuracy and performance.