

Description

Damper actuator serie S2 to operate and position air dampers in HVAC systems.

- For air dampers up to approx. 0.5 m²
- Nominal voltage 24 Vac/dc and 230 Vac
- Control: Open-close or 3-point and proportional
- Characteristics: universal spindle clamp for easy direct mounting, shaft dimensions Ø 6 to 15,5 mm round / □ 5 to 12 mm square, minimum shaft length 35 mm, anti-rotation bracket provided for stability, adjustable angle of rotation, 0,9 m cable connection.

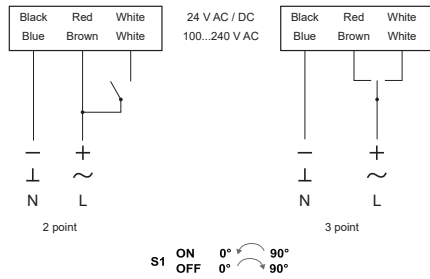


Technical features

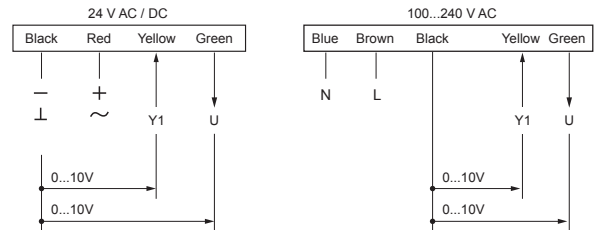
Actuator model		S2A	S2B	S2AM	S2BM
Damper area	m ²		0.5		
Nominal torque	Nm		2		
Power supply	V	24 AC/DC	230 AC	24 AC/DC	230 AC
Frequency	Hz		50/60		
Power consumption					
- in operation	W	2,0	2,8	2,0	2,8
- at rest	W	0,5	0,7	0,5	0,7
- for wire sizing	VA		0,5		
Running time	s		20...45		
Sound power level	max. db (A)		45		
Control signal		2-3 point	2-3 point	0...10 V DC	0...10 V DC
Auxiliary switch rating			5 (2,5) A, 250 V AC		
Life Cycle	cycles		60.000		
Rotation angle			max.95°		
Rotation way			L/R switch		
Protection class			II		
Protection degree			IP54		
Working range °C			-20...+70° C		
Working range % RH			5...95% RH, non-condensating		
Storage temperature			-40...+70° C		
Maintenance			free		
Weight	g		600		
Standards			CE-conformity, RoHs		
Option			suffix S for models with 1 SPDT auxiliary switch		

Electrical wirings

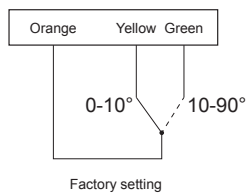
Wiring diagram



Wiring diagram
proportional

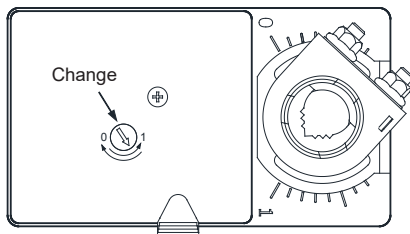


Auxiliary switch

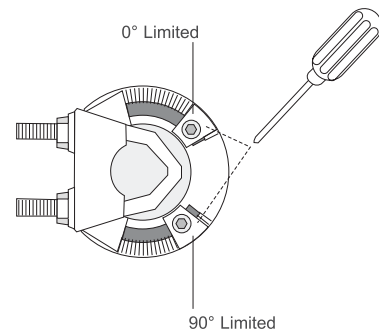


Setting

Change of rotation way



Angle of rotation limiting



Dimensions (mm)

