

## Smoke control damper actuator, 15 Nm

# SF15

### Description

Damper actuator serie SF15 to operate and position air dampers in HVAC systems.

- For air dampers up to approx. 2 m<sup>2</sup>
- Nominal voltage 24 V AC/DC and 100...240 V AC
- Control: 2 and 3-point
- Characteristics: shaft dimensions standard □12/12 mm square, minimum shaft length 90 mm, anti-rotation bracket provided for stability, selectable direction of rotation, 2 not adjustable SPDT auxiliary switches, 1 m cable connection.

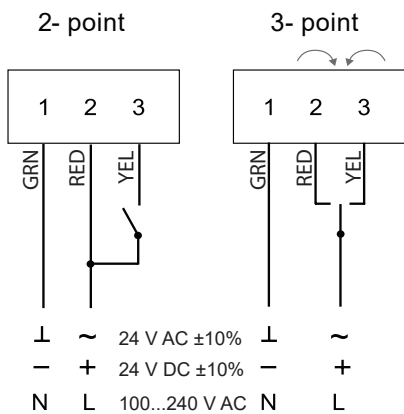


### Technical features

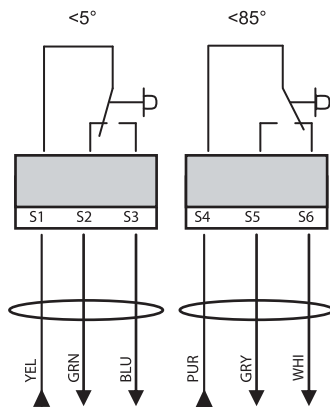
Actuator model		SF15A	SF15B
Damper area	m <sup>2</sup>		2
Nominal torque	Nm		15
Power supply	V	24 AC/DC	100...240 AC
Frequency	Hz		50/60
Power consumption			
- in operation	W		5
- at rest	W		0,5
- for wire sizing	VA		7,0
Running time	s		<30
Sound power level	db (A)		45
Control signal			2 and 3 point
Auxiliary switch rating			3 (1,5) A, AC 230 V
Life cycle	cycles		60.000
Rotation angle			
- operating			90° (95° mechanical)
- limitation			5-85° (steps of 5°)
Protection class		III	II
Protection degree			IP54
Working temperature °C			-20...+50° C
Working humidity RH			5...95% RH, non-condensating
Storage temperature			-30...+80° C
Maintenance			free
Weight	g		<1800
Standards			CE-conformity, RoHs

## Electrical wirings

Wiring diagram

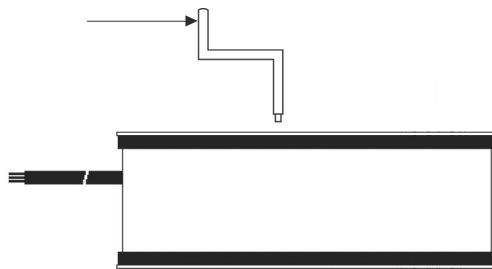


Auxiliary switches



## Setting

Manual override



## Dimensions (mm)

