

Spring-return damper actuator, 15 Nm

SR15

Description

Damper actuator serie SR15 to operate and position air dampers in HVAC systems.

- For air dampers up to approx. 3 m²
- Nominal voltage 24 Vac/dc and 230 Vac
- Control: 2-point, on-off and proportional
- Characteristics: universal spindle clamp for easy direct mounting, shaft dimensions Ø 10 to 19 mm round / □ 10 to 16 mm square, minimum shaft length 80 mm, anti-rotation bracket provided for stability, selectable direction of rotation, adjustable angle of rotation, 1 m cable connection.

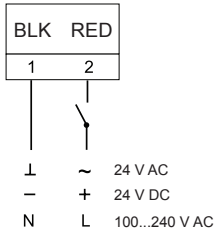


Technical features

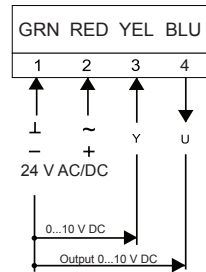
Actuator model		SR15A	SR15AM	SR15B
Damper area	m ²		3	
Nominal torque	Nm		15	
Power supply	V	24 AC/DC	24 AC/DC	240 AC
Frequency	Hz		50/60	
Power consumption				
- in operation	W	6,5	6,5	7,0
- at rest	W		3,0	
- for wire sizing	VA		10,0	
Running time for motor	s		110...130	
Running time for spring	s		25	
Sound power level	db (A)		50 (motor), 62 (spring)	
Control signal		2 point, on-off	0...10 V DC	2 point, on-off
Auxiliary switch rating			3 (1,5) A, AC 250 V	
Life Cycle	cicli		60.000	
Rotation angle				
- operating			0-90°	
- limitation			5-85° (steps of 5°)	
Protection class		III	III	II
Protection degree			IP54	
Working range °C			-30...+50° C	
Working range RH			5...95% RH, non-condensating	
Storage temperature			-40...+70° C	
Maintenance			free	
Weight	g		2700	
Standards			CE-conformity, RoHs	
Option			suffix S for models with 2 SPDT auxiliary switches	

Electrical wirings

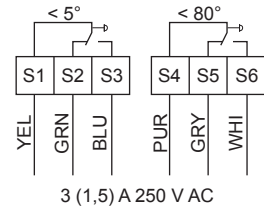
Wiring diagram, On-Off



Wiring diagram, Proportional

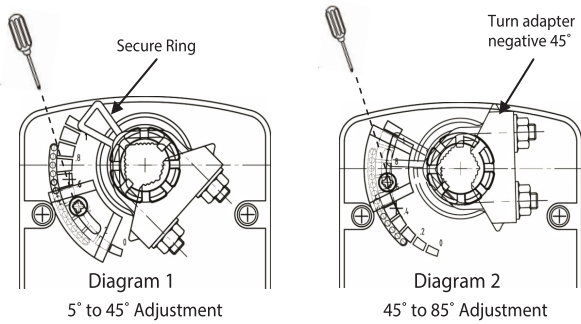


Auxiliary switches



Settings

Limitation of rotation angle from 5° to 85°



For 5° to 45° (diagram 1)

1. Loosen screw of the mechanical limiter plate.
2. Move the limiter plate to the appropriate position.
3. Tighten the screw.

For 45° to 85° (diagram 2)

1. Release the secure ring of the adapter.
2. Remove the adapter and turn negative 45° as shown.
3. Insert adapter and secure the adapter ring.
4. Loosen screw of the mechanical limiter plate.
5. Move the limiter plate to the appropriate position.
6. Tighten the screw.

Dimensions (mm)

