

Fire and smoke spring return damper actuator, 15 Nm

ST15

Description

Damper actuator serie ST15 to operate and position air dampers in HVAC systems.

- For air dampers up to approx. 3 m²
- Nominal voltage 24 V AC/DC and 100...240 V AC
- Control: 2-point, on-off
- Characteristics: shaft dimensions □12/12 mm square, minimum shaft length 90 mm, anti-rotation bracket provided for stability, selectable direction of rotation, 2 not adjustable SPDT auxiliary switches, 1 m cable connection, thermal duct sensor included.

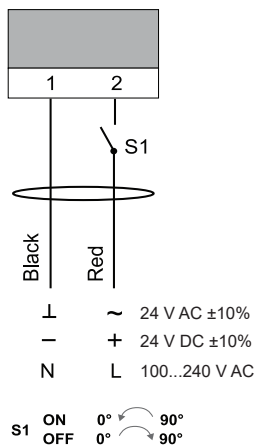


Technical features

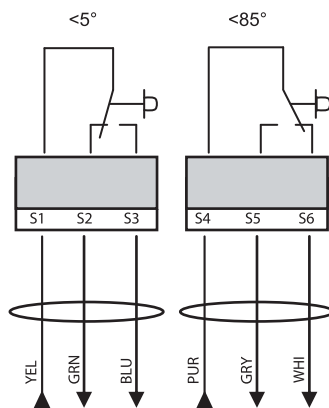
| Actuator model | | ST15AT | ST15BT |
|---------------------------|----------------|----------|------------------------------|
| Damper area | m ² | | 3 |
| Nominal torque | Nm | | 15 |
| Power supply | V | 24 AC/DC | 100...240 AC |
| Frequency | Hz | | 50/60 |
| Power consumption | | | |
| - in operation | W | | 8 |
| - at rest | W | | 2,5 |
| - for wire sizing | VA | | 7,0 |
| Running time for motor | s | | <150 |
| Running time for spring | s | | < 25 |
| Sound power level | db (A) | | 45 |
| Control signal | | | 2 point, on-off |
| Auxiliary switch rating | | | 3 (1,5) A, AC 230 V |
| Life cycle | cycles | | 60.000 |
| Rotation angle | | | |
| - operating | | | 90° (95° mechanical) |
| - limitation | | | 5-85° (steps of 5°) |
| Thermal temperature trip | | | > 72° |
| Protection class | | III | II |
| Protection degree | | | IP54 |
| Working temperature °C | | | -20...+50° C |
| Working humidity RH | | | 5...95% RH, non-condensating |
| Storage temperature range | | | -30...+80° C |
| Maintenance | | | free |
| Weight | g | | <2600 |
| Standards | | | CE-conformity, RoHs |

Electrical wirings

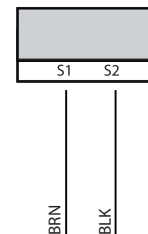
Wiring diagram



Auxiliary switches

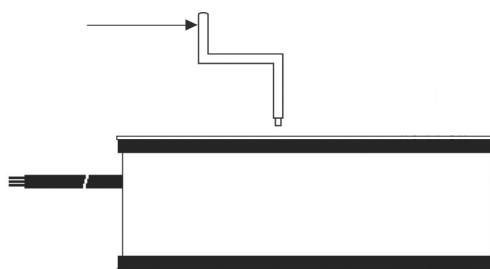


Thermal sensor

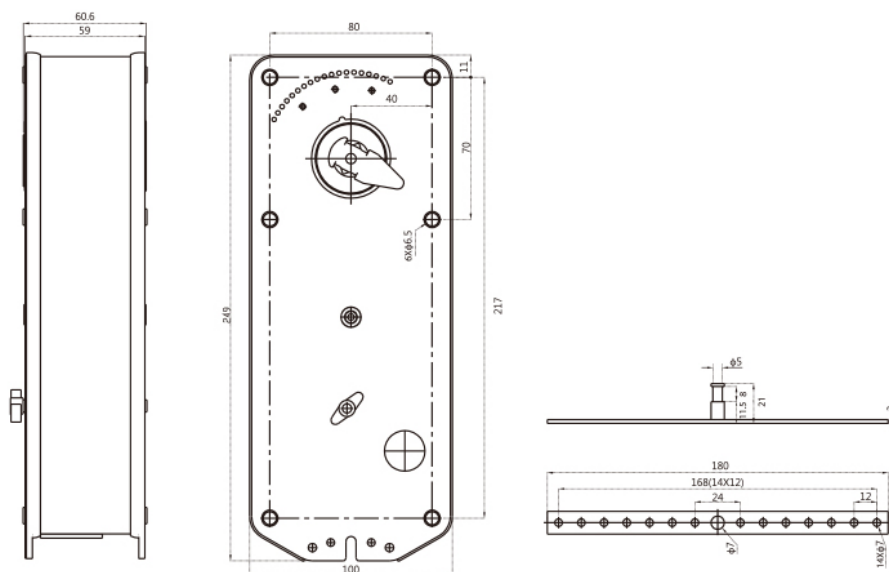


Setting

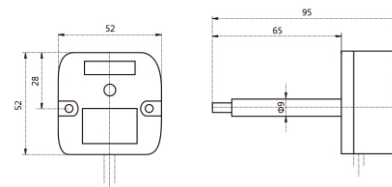
Manual override



Dimensions (mm)



Thermal sensor



The thermal sensor controls the temperature in two areas: room and duct. The damper actuator will open when the temperature reaches 72°C in one of the two zones. There is a test button on the sensor.

The contents are subject to revision or change without notice.