

Damper actuator, ATEX version

SX

Description

Damper actuator SX serie to operate and position air dampers in HVAC systems.

- For air dampers up to approx. 3 m² up to 9 m²
- Nominal voltage 24 Vac/dc and 230 Vac
- Control: 3-point
- Characteristics: universal spindle clamp for easy direct mounting, shaft dimensions Ø 10...16 mm / 7...11 mm square, minimum shaft length 80 mm, anti-rotation bracket provided for stability, selectable direction of rotation, adjustable angle of rotation, 1 m cable connection.



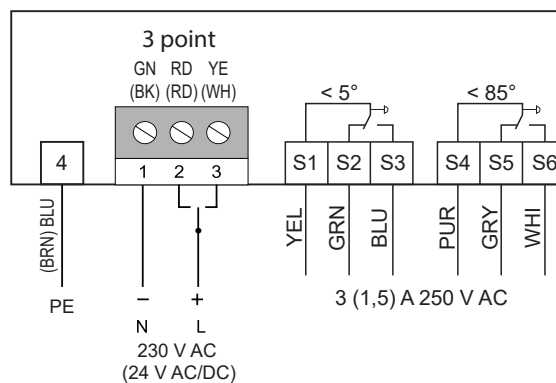
Technical features

Actuator model		SX10A	SX10B	SX20A	SX20B	SX30A	SX30B
Damper area	m ²	3		6		9	
Nominal torque	Nm	10		20		30	
Power supply	V	24 AC/DC	230 V AC	24 AC/DC	230 V AC	24 AC/DC	230 V AC
Frequency	Hz	50/60					
Power consumption							
- in operation	W	7		10		12	
- at rest	W	3					
Running time	s	< 150					
Sound power level	db (A)	50					
Control signal		3 points, on-off					
Auxiliary switch rating		3 (1,5) A, AC 250 V					
Life Cycle	cycles	> 70.000					
Rotation angle		Max 93°					
Protection class		III	II	III	II	III	II
Protection degree		IP66					
Working range °C		-20...+60° C					
Working range RH		5...95% RH, non-condensating					
Storage temperature		-40...+70° C					
Maintenance		free					
Standards		Conformità CE, RoHs, ATEX 2014/34/UE					
ATEX		Ex d II B T6 Gb Ex IIIC T85°C Db					
Application		Zone 1 and zone 2, zone 21 and zone 22					

Directives:

IEC60079-0:2011, EN60079-0:2012 electrical apparatus in explosive gas atmosphere General requirements.
IEC60079-1:2007, EN60079-1:2007 electrical apparatus in explosive gas atmosphere part1: flameproof " d ".
IEC60079-31:2008, EN60079-31:2009 Equipment dust ignition protection by enclosure " t " .

Electrical wirings



Use and maintenance

- Cable gland and thread on the M16 × 1.5 housing, cable diameter from 6 to 8 mm. When the actuator is installed on site, the cable gland must be installed by the user and whose degree of protection must not be less than II2D Ex tb IIIC T85 ° C Db.
- Earth terminal tightening torque 2 Nm.
- Tightening torque of the flameproof joint 3,2 Nm.
- External ground bolt M4x6, by pressing the 4 mm² conductor.
- Disassembly is prohibited without authorization. Do not open with the power on. Do not open the lid in the presence of explosive gas. Use a damp cloth when opening.
- Repair of flanged joints must be performed in accordance with the structural specifications provided by the manufacturer. Repairs must not be carried out on the basis of the specifications in table 3 and table 4 of the EN 60079-1: 2007 directive.
- The cable gland must have a degree of protection compatible with the intended use.
- During assembly, operation and maintenance, the operator must follow the requirements of the EN 60079-14 standard and this instruction manual.
- Repair and overhaul must comply with EN 60079-19.

Dimensions (mm)

