

Description



The temperature sensor serie SD measures the duct temperature from -30 up to +150°C of gaseous and liquid media. The range is available with all type of current sensor elements. The temperature sensor can be mounted directly on ducts or pipes by the included mounting flanged and can be easily and quickly be replaced in case of maintenance.

Technical specifications

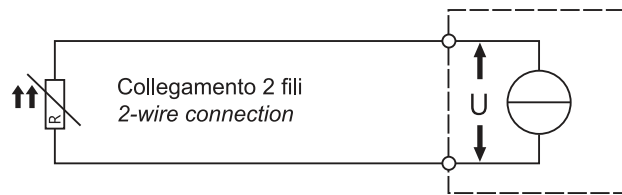
| | |
|------------------------------|---|
| Measurement range | -30...+150°C |
| Sensor | Pt100, Pt1000, Ni1000, NTC |
| Type of connection | 2-wires |
| Measured current | approx. 1 mA |
| Electrical connection | Screw terminal block for wires up to 1,5 mm ² |
| Leakage resistance | > 100 MOhm, at +20°C (500 V DC) |
| Housing | Polyamide (synthetic) with snap closing screws, colour RAL 9010 |
| Cable entry | M16 high-strength cable gland with strain relief |
| Installation length | from 100 to 400 mm |
| Material | Protection tube: stainless steel AISI 316Ti |
| Protection type | IP65 |
| Storage temperature | -20...+70°C |
| Installation | Mounting flange (included) |
| Standards | CE conformity, RoHS |



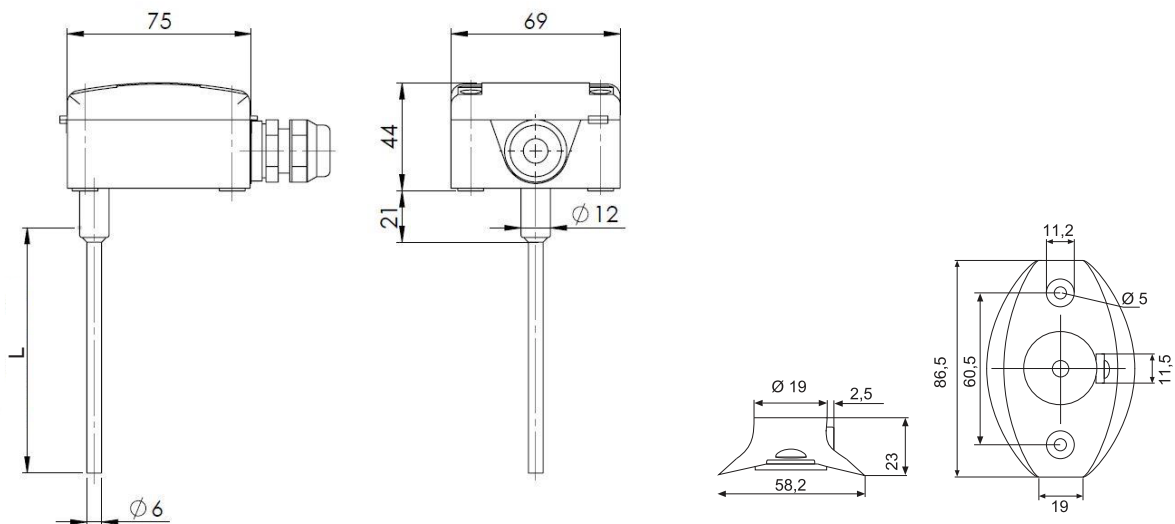
| Models | Type of sensor | Tube length (L) |
|----------------|-----------------------------|-----------------|
| SD1-100 | Pt100 (DIN EN 60751 Cl. B) | 100 mm |
| SD1-150 | Pt100 (DIN EN 60751 Cl. B) | 150 mm |
| SD1-200 | Pt100 (DIN EN 60751 Cl. B) | 200 mm |
| SD1-400 | Pt100 (DIN EN 60751 Cl. B) | 400 mm |
| SD2-100 | Pt1000 (DIN EN 60751 Cl. B) | 100 mm |
| SD2-150 | Pt1000 (DIN EN 60751 Cl. B) | 150 mm |
| SD2-200 | Pt1000 (DIN EN 60751 Cl. B) | 200 mm |
| SD2-400 | Pt1000 (DIN EN 60751 Cl. B) | 400 mm |
| SD3-100 | Ni1000 (TK6180) | 100 mm |
| SD3-150 | Ni1000 (TK6180) | 150 mm |
| SD3-200 | Ni1000 (TK6180) | 200 mm |
| SD3-400 | Ni1000 (TK6180) | 400 mm |

| Models | Type of sensor | Tube length (L) |
|---------|---------------------------------|-----------------|
| SD4-100 | Ni1000 (TK5000) | 100 mm |
| SD4-150 | Ni1000 (TK5000) | 150 mm |
| SD4-200 | Ni1000 (TK5000) | 200 mm |
| SD4-400 | Ni1000 (TK5000) | 400 mm |
| SD5-100 | NTC20k ($\pm 1\%$) | 100 mm |
| SD5-150 | NTC20k ($\pm 1\%$) | 150 mm |
| SD5-200 | NTC20k ($\pm 1\%$) | 200 mm |
| SD5-400 | NTC20k ($\pm 1\%$) | 400 mm |
| SD6-100 | NTC10k ($\pm 1\%$) BETA 3435K | 100 mm |
| SD6-150 | NTC10k ($\pm 1\%$) BETA 3435K | 150 mm |
| SD6-200 | NTC10k ($\pm 1\%$) BETA 3435K | 200 mm |
| SD6-400 | NTC10k ($\pm 1\%$) BETA 3435K | 400 mm |

Electrical wirings



Dimensions (mm)



The contents are subject to revision or change without notice.