

Industrial electromechanical room thermostat

TA

Description

The industrial room thermostat TA is suitable for temperature control in industrial rooms such as greenhouses, industrial buildings, warehouses etc.

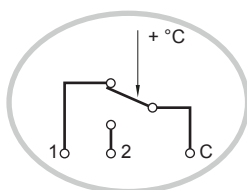
Technical specifications

Measurement range	see schedule
Tolerance	$\pm 3^{\circ}\text{C}$
Differential	$2 \pm 1^{\circ}\text{C}$
Electrical rating	16 (4) A, 250 V AC
Max. temperature	$+70^{\circ}\text{C}$
Protection	IP55
Isolation class	I
Overvoltage category	II
Nominal impulse voltage	4 kV
Bulb	Spiral capillary in stainless steel
Dimensions	97 x 120 x 56 mm
Standards	CE-conformity

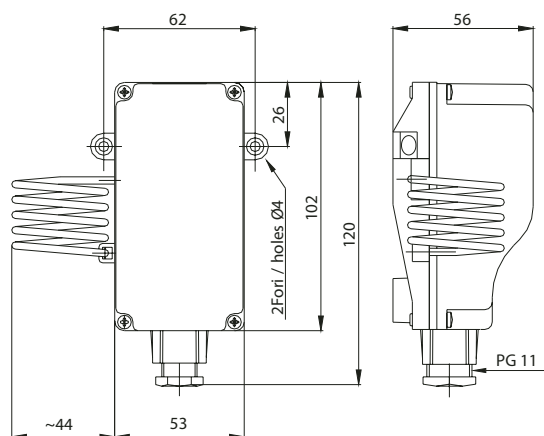


Models	Range °C	External knob	Internal knob
TA1	-15...+40	•	
TA2	0...+60	•	
TA2S	0...+60		•
TA3	0...+40	•	
TA3S	0...+40		•

Electrical wirings



Dimensions (mm)



The contents are subject to revision or change without notice.