

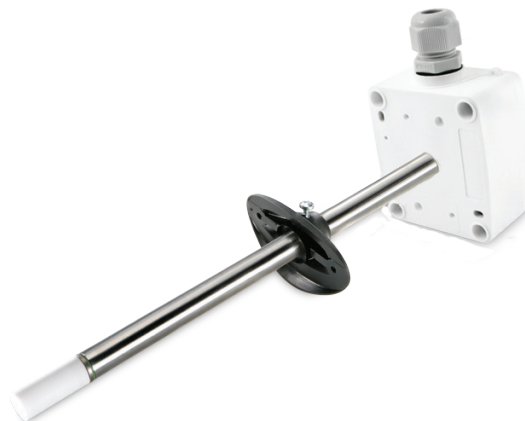


## Description

The temperature/humidity transmitter serie TTHDM measures the duct temperature and humidity by a capacitive humidity sensor and converts the value into an RS485 output signal with ModBus RTU/ASCII protocol. The sensor is protected by a sintered filter.

## Technical specifications

<b>Measurement range RH</b>	0...100% RH
<b>Accuracy RH</b>	±2% RH (20...80%RH) +2% FS a 25°C
<b>Accuracy °C</b>	±0,3°C (5...60°C) + 1,5% FS
<b>Power supply</b>	12...34 V AC/DC
<b>Power consumption</b>	10...20 mA
<b>Electrical connection</b>	Screw terminals max. 1,5 mm <sup>2</sup>
<b>Housing</b>	PA6, RAL 9010
<b>Dimensions</b>	See drawing
<b>Protection type</b>	IP65
<b>Protection class</b>	III
<b>Working range RH</b>	0...98% RH in contaminant-free, non-condensing air
<b>Working temperature °C</b>	-30...+70°C
<b>Installation</b>	Mounting flange (included)
<b>Standards</b>	CE conformity, RoHS

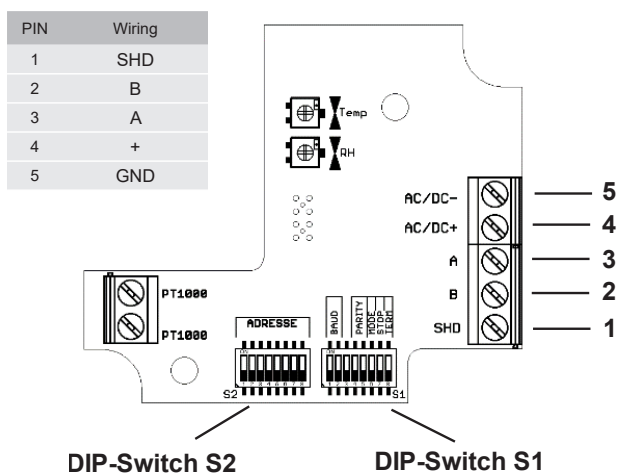


Models	Version
TTHDM	
TTHDMD	with display

## Measurement source

Unit	ModBus source	Gain
Temperature °C	20	10
Relative humidity %u.r.	21	10
Absolute humidity g/m <sup>3</sup>	22	10
Dewpoint °C	23	10
Enthalpy J	24	10

## Electrical wirings



DIP Switch 1	Setting	1	2	3	4	5	6	7	8
	<b>Baudrate</b>								
	9600	OFF	OFF						
	19200	OFF	ON						
	38400	ON	OFF						
	57600	ON	ON						
<b>Termination</b>									
	nessuna								OFF
	120 Ω								ON
<b>Parity</b>									
	Even				OFF	OFF			
	Odd				OFF	ON			
	No parità				ON	OFF			
	No parità				ON	ON			
<b>Modality</b>									
	RTU							OFF	
	ASCII							ON	
<b>Bit stop</b>									
	1								OFF
	2								ON

