



Description

The temperature/humidity transmitter serie TTHDM measures the outdoor temperature and humidity by a capacitive humidity sensor and converts the value into an RS485 output signal with ModBus RTU/ASCII protocol. The sensor is protected by a sintered filter.

Technical specifications

Measurement range RH	0...100% RH
Accuracy RH	±2% RH (20...80%RH) +2% FS a 25°C
Accuracy °C	±0,3°C (5...60°C) + 1,5% FS
Power supply	12...34 V AC/DC
Power consumption	10...20 mA
Electrical connection	Screw terminals max. 1,5 mm ²
Housing	PA6 15% GF, RAL 9010
Dimensions	See drawing
Protection type	IP65
Protection class	III
Working range RH	0...98% RH in contaminant-free, non-condensing air
Working temperature °C	-30...+70°C
Standards	CE conformity, RoHS

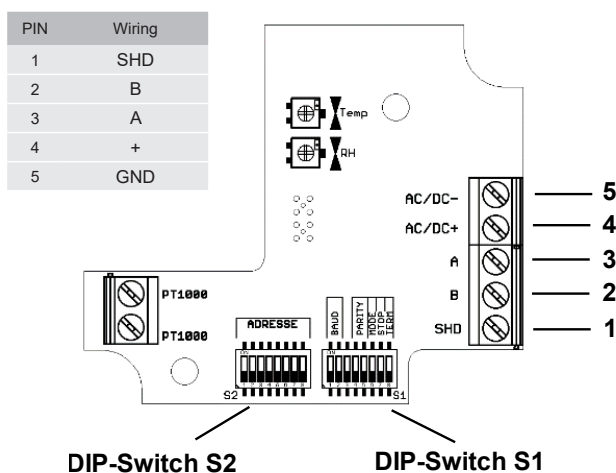


Models	Version
TTHOM	
TTHOMD	with display

Measurement source

Unit	ModBus source	Gain
Temperature °C	20	10
Relative humidity %u.r.	21	10
Absolute humidity g/m ³	22	10
Dewpoint °C	23	10
Enthalpy J	24	10

Electrical wirings



Setting	1	2	3	4	5	6	7	8
Baudrate								
9600	OFF	OFF						
19200	OFF	ON						
38400	ON	OFF						
57600	ON	ON						
Termination								
nessuna								OFF
120 Ω								ON
Parity								
Even				OFF	OFF			
Odd				OFF	ON			
No parità				ON	OFF			
No parità				ON	ON			
Modality								
RTU						OFF		
ASCII						ON		
Bit stop								
1								OFF
2								ON

