



Description

The light sensor detects the light intensity and converts the value into a linear analogue signal with 4 selectable ranges. Available relay output.

Technical specifications

<b>Measurement range</b>	4 selectable ranges by dip-switch
<b>Accuracy</b>	±10%
<b>Power supply</b>	16...36 V DC / 24 V AC
<b>Output</b>	See schedule (min. load resistance 10k Ohm)
<b>Relay capacity</b>	60 VDC, 1A
<b>Electrical connection</b>	Screw terminals for cable max. 1,5 mm <sup>2</sup>
<b>Dimensions</b>	See drawing
<b>Protection</b>	IP20
<b>Working range RH</b>	0...98% RH in contaminant-free, non-condensing air
<b>Working temperature °C</b>	-30...+70°C
<b>Standards</b>	CE conformity, RoHS, EN61326-1 2006

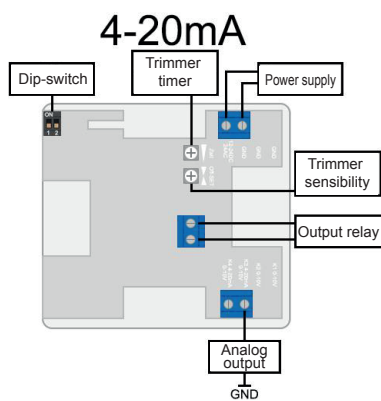
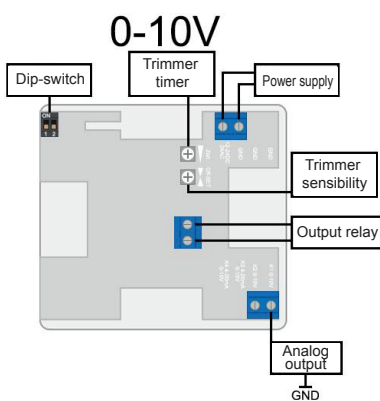


Dip-switch settings

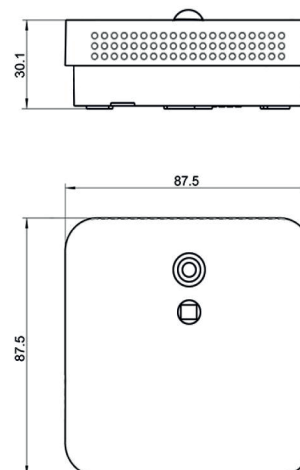
Models	Output
LUXR	relay
LUXV	0...10 V DC
LUXC	4...20 mA
LUXRV	relay / 0...10 V DC
LUXRC	relay / 4...20 mA



Electrical wirings



Dimensions



The contents are subject to revision or change without notice.