

## Actuator for ball valves, 10 Nm

# S10..V



### Description

The electric actuator series S5..V for ball valves are used in heating, refrigeration and air conditioning systems.

- For valves from DN40 to DN50
- Power supply 24 Vac / dc and 230 Vac
- Function: open / closed or 3 point and proportional action



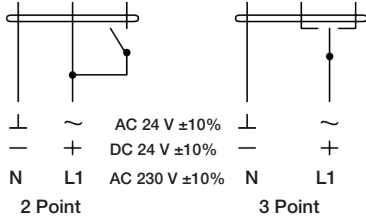
### Technical specifications

Models		S10AV	S10BV	S10AMV
Nominal torque	Nm		10	
Power supply	V	24 AC/DC ±10%	230 AC	24 AC/DC ±10%
Frequency	Hz		50/60	
Power consumption				
- in operation	W		6.0	
- at rest	W		2.0	
- for wire sizing	VA		6.5	
Running time	s		100...150	
Sound power level	max. db (A)		40	
Control signal		2-3 point	2-3 point	0(2)...10 V DC 0(4)...20 mA
Life Cycle	cycles		60.000	
Rotation angle			max.95°	
Direction of rotation			CW / CCW	
Protection class		III	II	III
Protection degree			IP54	
Working range °C			-20...+50° C	
Working range RH			5...95% RH, non-condensating	
Storage temperature			-30...+60° C	
Maintenance			free	
Weight	g		1200	
Standards			CE-conformity, RoHs	

## Electrical wirings

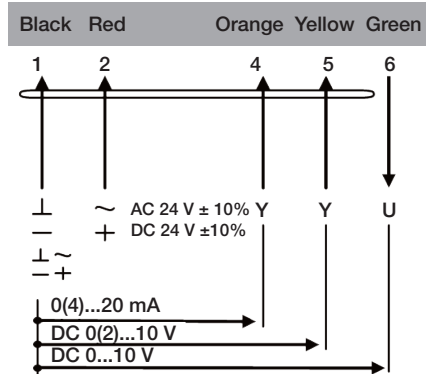
### Wiring diagram On/Off

Black	Red	White	24V	Black	Red	White
Blue	Brown	White	230V	Blue	Brown	White

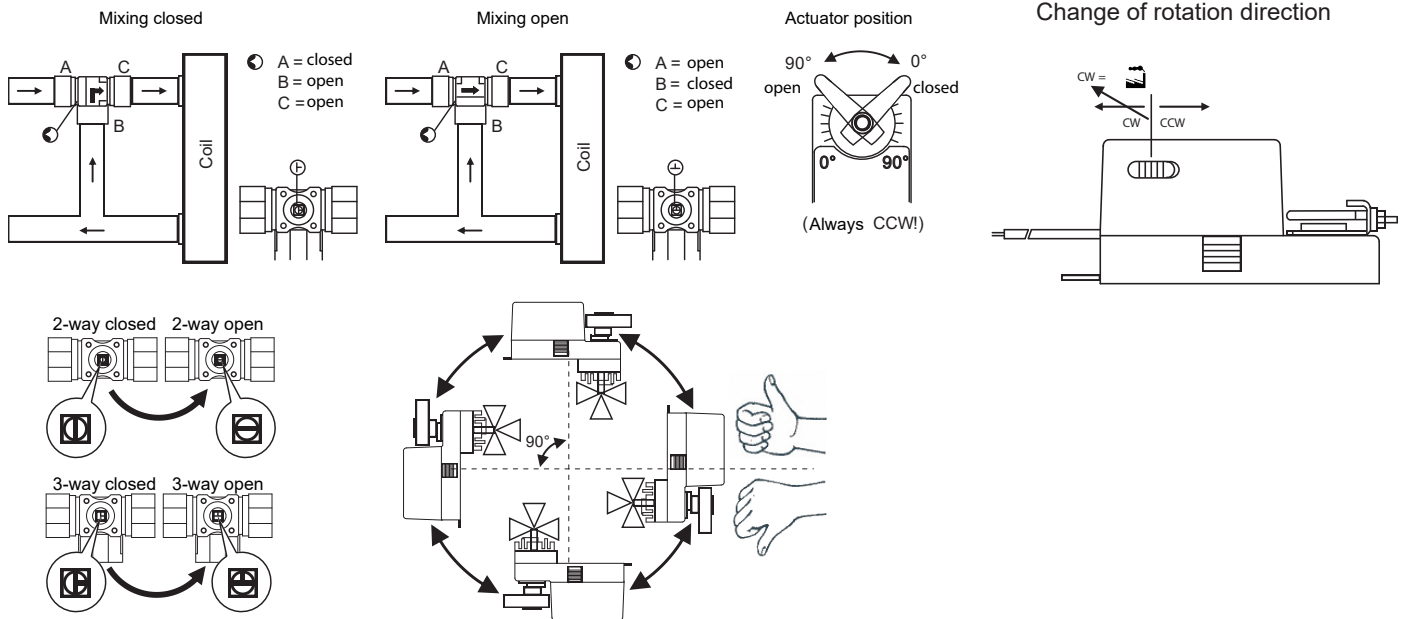


connect via safety isolating transformer

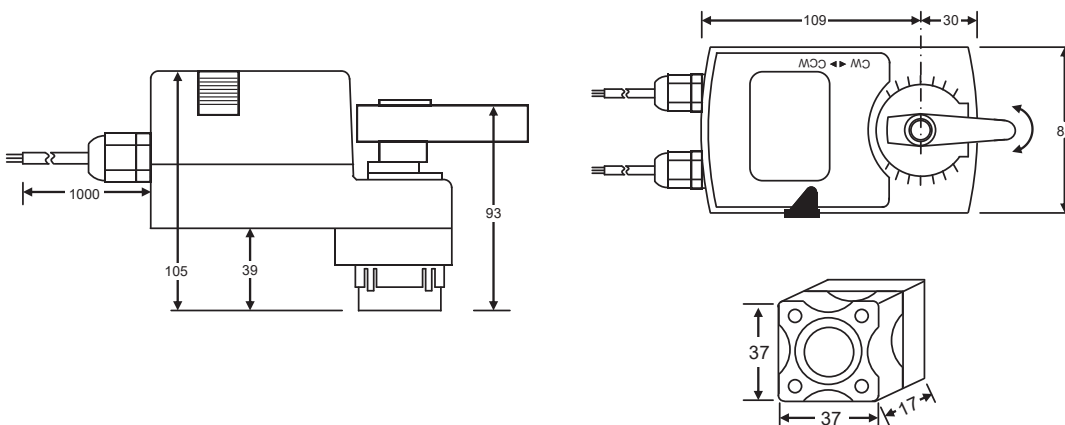
### Wiring diagram proportional



## Setting

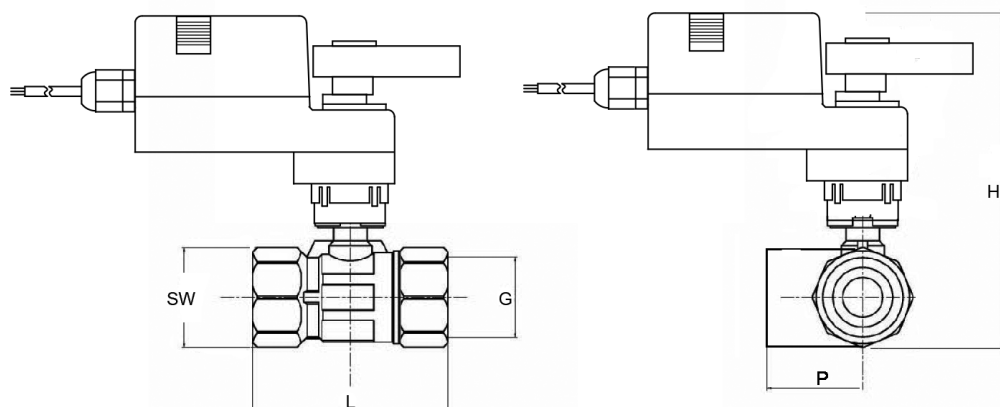


## Dimensions (mm)



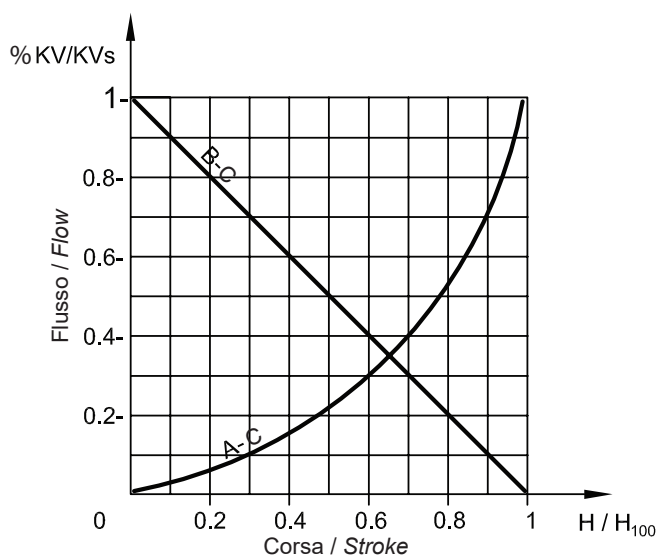
The contents are subject to revision or change without notice.

## Dimensions (mm)



DN mm	G	L	H	SW	P	Weight 2 way (Kg)	Weight 3 way (Kg)
40	G 1" 1/2	106	181,60	56	52	1,2	1,4
50	G 2"	128	192.70	70	69	1,95	2,2
65	Flangia 145	97	136	-	-	4,5	-
80	Flangia 160	108	140	-	-	6,8	-
100	Flangia 180	120	202	-	-	8,6	-

## Control flow characteristics



A-C equal-percentage way  
 B-C bypass lineare way  
 3-way used as mixing inlet in A and B, outlet C  
 3-way used as diverting inlet in C, outlet from A and B

**C way** constant flow  
**A way** variable flow  
**B (bypass) way** variable flow