

Description

The globe valves in cast-iron serie VF are used in heating, refrigeration and air-conditioning systems for the flow control of heated or chilled water for domestic and industrial applications. The valves are motorized by the electric actuators serie AVF.



Technical specifications

Fluids type	Hot and cold water (with glycol max. 50%)
Fluid temperature	-10...120°C
Nominal pressure	1600 kPa max (16 bar)
Control flow characteristics	Equal-percentage on direct way Linear on angle way
Rangeability	50:1
Leakage	< 0,1% of KVs
Connections	Flange according EN1092-2
Stroke	See schedule
Installation position	Horizontal or vertical
Maintenance	Free
Body	Cast-iron G25
Plug	Brass
Valve stem	Stainless steel 302
Stem packing	PTFE
Dimensions and weight	See schedule



2 ways	Models		DN	KVs	Max differential pressure (bar) (*)	Stroke	Actuator
		3 ways					
VF250		VF350	50	50	2,5 (6)	20	AVF12(M)
VF265		VF365	65	75	2,0 (6)	20	AVF12(M)
VF280		VF380	80	100	1,5 (6)	20	AVF12(M)
VF2100		VF3100	100	125	1,5 (6)	38	AVF18(M)
VF2125		VF3125	125	200	2 (5)	38	AVF30(M)
VF2150		VF3150	150	285	2,0 (5)	38	AVF70(M)
VF2200		VF3200	200	400	1,5 (4)	38	AVF70(M)

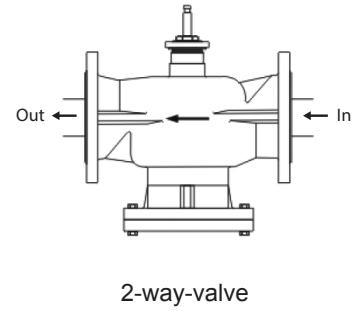
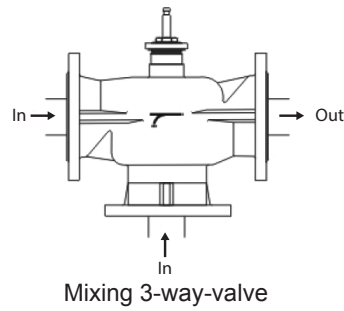
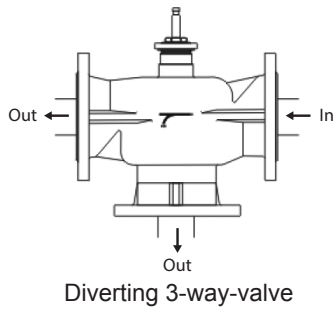
(*) The values in the brackets are the max. differential pressure when valve is fully closed and actuator is still able to open or close the valve with security. In order to avoid wear between plug and seat, we recommend not to overcome the nominal values.

Caution

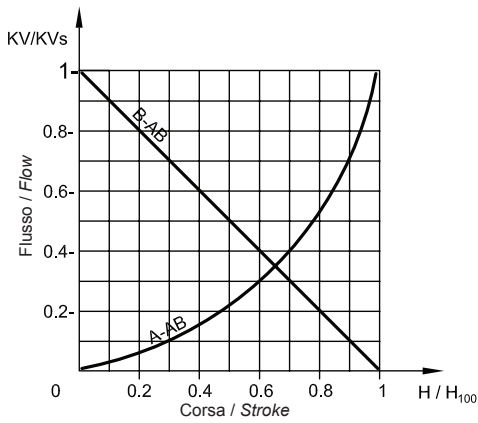
Before valves are mounted, make sure that pipes are clean, free from welding slugs, that are perfectly lined up with valve body and not subjected to vibrations. The valve can be mounted in any position except upside-down. While assembling, respect the flow directions indicated by the arrows located on the valve body.

When stem is up, the direct way is closed, with stem down direct way is open.

Installation

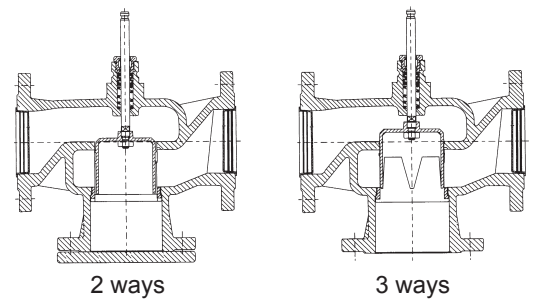


Control flow characteristics



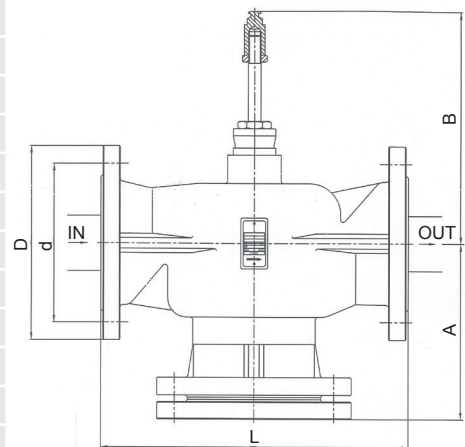
A-AB equal-percentage way
 B-AB bypass linear way
 3-way used as mixing inlet in A and B, outlet AB
 3-way used as diverting inlet in AB, outlet from A and B

AB way constant flow
A way variable flow
B (bypass) way variable flow



Dimensions and weights

Models	Thread		Dimensions (mm)				Weight kg
	DN	D	d	L	A	B	
VF250	50	165	125	230	133	166	14
VF350	50	165	125	230	115	166	11,8
VF265	65	185	145	290	164	178	19,7
VF365	65	185	145	290	145	178	16,4
VF280	80	200	160	310	177	182	23,2
VF380	80	200	160	310	155	182	20,4
VF2100	100	220	180	350	200	264	39,5
VF3100	100	220	180	350	175	264	33,7
VF2125	125	250	210	400	228	275	54,5
VF3125	125	250	210	400	200	275	46
VF2150	150	285	240	480	268	290	76,3
VF3150	150	285	240	480	240	290	65
VF2200	200	340	290	600	330	315	135
VF3200	200	340	290	600	300	315	120



The contents are subject to revision or change without notice.