

Butterfly valves

VM



Description

The VM series of butterfly valves (Wafer) are used in heating, refrigeration and air-conditioning systems for the flow control of heated or chilled water for domestic and industrial applications.

The valves can be coupled with our 24 or 230 Vac modulating or 2-3 points actuators with or without auxiliary switches.

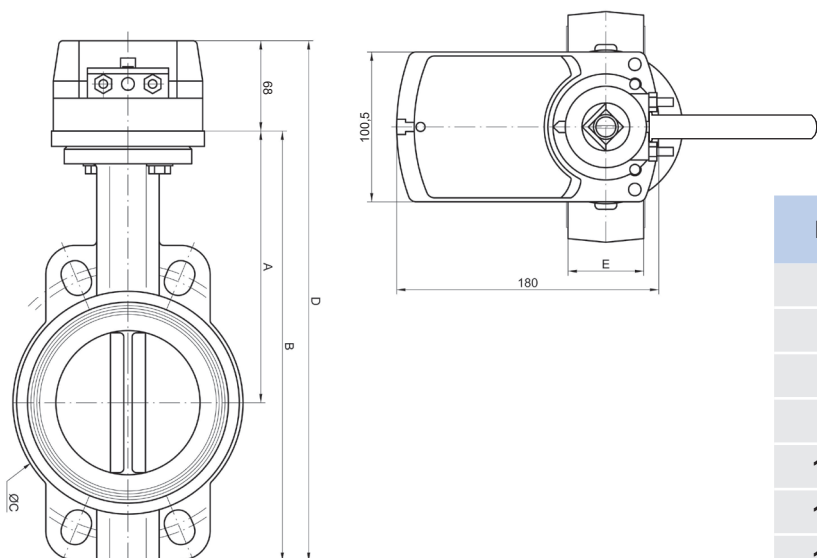
Technical specifications

Body	Aluminium ADC12
Seat	EPDM
Shaft	X30Cr13 (AISI 420)
Disk	Cast iron EN-JS1030
Max working pressure	PN14
Working temperature	-20...90° C



Models	Kv	Max diff. pressure	Actuator type
VM 40	50	12	S16
VM 50	85	10	S16
VM 65	215	8	S16
VM 80	420	8	S16
VM 100	800	6	S24
VM 125	1010	6	S24
VM 150	2100	4	S32

Dimensions



DN	ISO	A	B	C	D	E
40	F05	139,5	194,5	76	262,5	33
50	F05	144,5	207,5	94	275,5	43
65	F05	159,5	231	111	299	46
80	F05	169,5	260,5	127	328,5	46
100	F05	189,5	295,5	151	363,5	52
125	F05	205,5	326,5	180	394,5	56
150	F07	219,5	352,5	206	420,5	56